



SHENZHEN HOMI LIGHTING CO., LTD

📍 2-5F, Building No.3, Hongfa Jateli High-Tech. Park, Shiyan Street, Bao'an District, Shenzhen, China
☎ Tel: +86(0)755-36615577 ✉ Email: info@homiled.com 🌐 Web: www.homiled.com

2017 ver.2



Homi's factory passed ISO9001:2008, ISO14001, BSCI of Germany (DBID: 364384 and Audit ID:70314).
Certificated by ISO system which focus on product safety and reliability. Homi strive to be manufacturer standing for high quality products.

Homi's products passed
TUV/CE/RoHS/UL/DLC/ETL/Energy Star.

SLIM & SMART



Shenzhen Homi Lighting Co., Ltd. is a professional and leading manufacturer in Shenzhen focused on LED Lighting for 10 years. Homi has about 400 staffs, covers 15000 square meters , and one molding workshop with 2000 square meters. Equipped with 11 production lines, 2 automatic package machines, 4 sets automatic aging machines, 5 pcs plastic injection machines, 1 standard dark room for IES testing, 5 set of high-speed SMT machines, 3 overflow machines and other machines for production and testing, which enable the month capacity of led panel light reach 1,000,000pcs. The factory base is only 30 minutes by car from Bao'An International Airport.



Homi owns powerful engineering department, including 30 people R&D engineers, skilled QC team and well trained testing staffs. The design takes into considerations of thermal, mechanical and optical areas, reflecting in the new patented products launched each season. The well designed products of Homi so far have been exported to more than 80 countries, in which around 50% to Europe, 40% to North America and 10% to the rest of the world, along with their reliable performance and highly praise by customers.

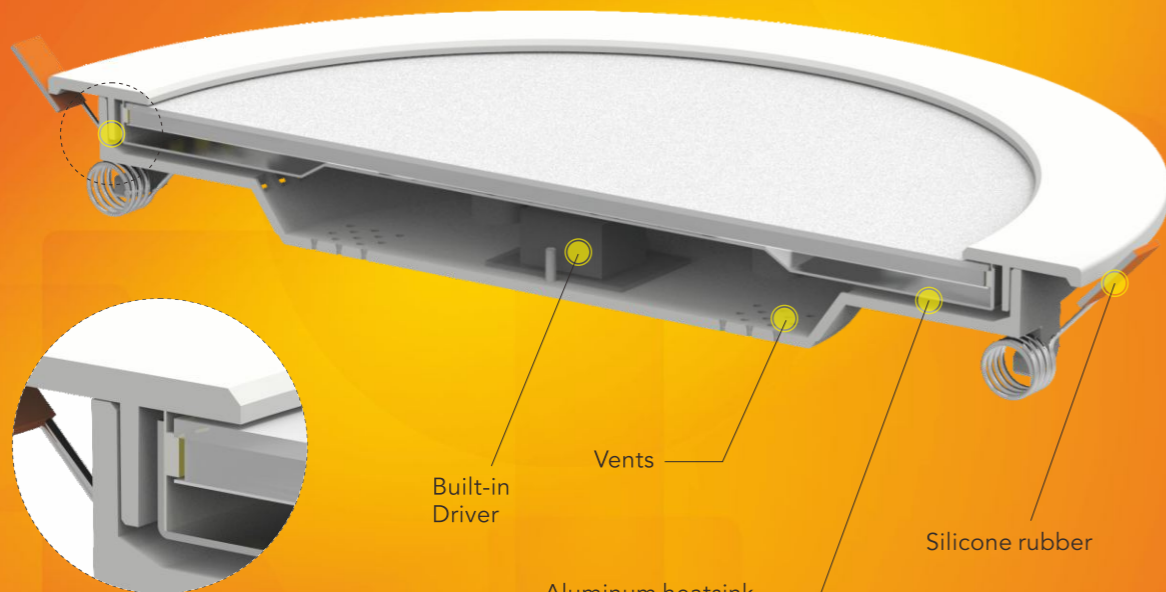
We Homi, sincerely invite you to be our distributors, wholesalers. We Homi, look forward to joining hands with all partners to witness the bright future of LED Lighting.

PL01 - LED Panel Light



Thermal Plastic
Round / Square

- ★ Built-in Driver
- ★ No Light Leakage
- ★ Ultrasonic Welding
- ★ Screwless



Ultrasonic Welding & Snap-fit Fixed

Built-in Driver
Vents
Aluminum heatsink less than 75°C
Silicone rubber



PL01
Surface Mounted



PL01
Recessed



① The horn applies pressure to the plastic materials



② The horn vibrates basically at 20,000 to 40,000 times per second



③ The vibrations create frictional heat that causes the materials to melt and flow together



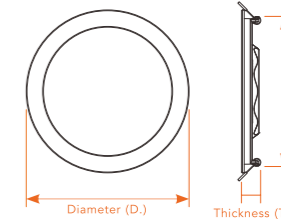
SHENZHEN HOMI LIGHTING CO., LTD

© 2-5F, Building No.3, Hongfa Jateli High-Tech. Park, Shiyan Street, Bao'an District, Shenzhen, China
Tel: +86(0)755-36615577 Email: info@homiled.com Web: www.homiled.com

PL01 Thermal Plastic Round / Square
LED PANEL LIGHT

No Light Leakage, Ultrasonic Welding Screwless

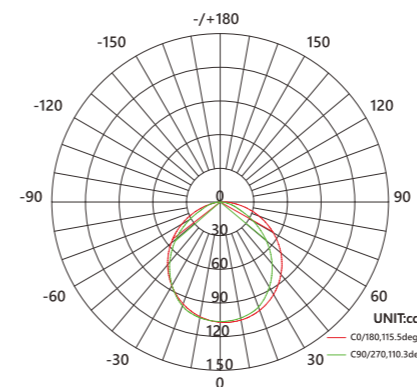
6W	40W
9W	60W
12W	75W
18W	100W
24W	130W



	D.	T.	H.S.
6W	Φ120	24	Φ107
9W	Φ148	24	Φ135
12W	Φ168	24	Φ156
18W	Φ225	24	Φ207
24W	Φ298	24	Φ279

Unit: mm

Light Distribution Curve:



AVERAGE BEAM ANGLE(50%):112.9 DEG

Parameters:

PL01 Round Panel Light	
Rated Power(W)±5%:	6W / 12W / 18W / 24W
Lumen efficacy:	80lm / W
Input:	AC 200-240V / 50Hz
CCT:	2600-3000K / 3700-4100K / 5400-6000K
Power Factor / THD / PE:	>0.9 / <30 / 80%
Driver/Connection:	Driver Inside
Beam Angle:	120°
Over Load / Short Circuit:	Protection
LED Type/Qty.:	SMD2835 ~ 30pcs / 60pcs / 92pcs / 120pcs
Ra:	>80
Warranty:	2 years
Lumen Maintenance(@70%):	30,000hrs
LM80:	>97.1% lumen maintance@6000hrs
IP:	IP20
Operating Temp:	-20 ~+40 °C
Storage Temp:	-40 ~+85 °C
Frame Color / Material:	White / Thermal Plastic
Dimmable:	Optional

Square LED Panel Light:



PL01 Also Include Square Series
All Same as Round Panel Except the Appearance

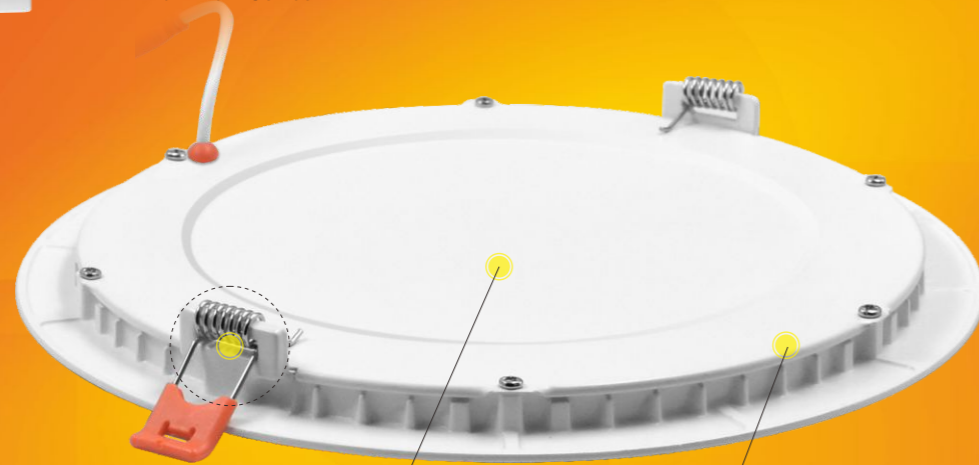




HERCULES
Aluminum Series



Patent No.:
201730070530.8



Die-Cast
Aluminum Body

Casting Precisely
No Light Leakage



Perfect LED Mounting Uniform Light Distribution

Black dots and shadow on the light, un-uniform lighting, which are the headache in the LED panel field.

- ★ SMT technology, ensuring accurate positions for LEDs on FPCB
- ★ Good quality LGP and diffuser plate
- ★ Stable design for the whole structure

Above ensures uniform lighting, no black dots and shadow.

LED Light Strip



SHENZHEN HOMI LIGHTING CO., LTD

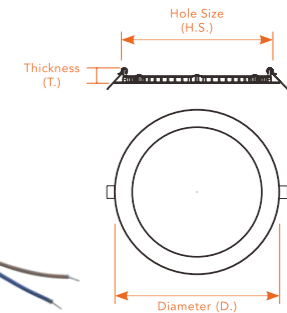
© 2-5F, Building No.3, Hongfa Jateli High-Tech. Park, Shiyan Street, Bao'an District, Shenzhen, China
Tel: +86(0)755-36615577 Email: info@homiled.com Web: www.homiled.com

DC11 Aluminum Round / Square LED PANEL LIGHT

Hercules Series, A New Innovation, No Light Leakage



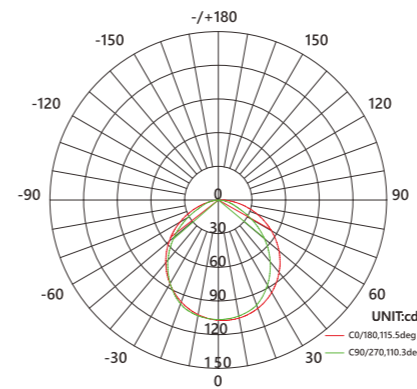
Power	Equivalent Power	Net Weight
3W	18W	80g
6W	40W	120g
9W	60W	180g
12W	75W	220g
15W	90W	259g
18W	100W	350g
24W	130W	530g



Power	D.	T.	H.S.
3W	Φ90	21	Φ75
6W	Φ120	21	Φ107
9W	Φ148	21	Φ135
12W	Φ168	22	Φ157
15W	Φ195	22	Φ183
18W	Φ225	22	Φ210
24W	Φ300	22	Φ285

Unit: mm

Light Distribution Curve:



AVERAGE BEAM ANGLE(50%):112.9 DEG

Parameters:

DC11 Round Panel Light	
Rated Power(W)±5%:	3W / 6W / 9W / 12W / 15W / 18W / 24W
Lumen output(±10%):	210 / 400 / 580 / 950 / 1250 / 1650 / 2050 lm
Input:	AC 170-265V / 50Hz
CCT:	2600-3000K / 3700-4100K / 5400-6000K
Power Factor / THD / PE:	>0.5 / <20 / 86-90%
Driver/Connection:	External Power Supply
Beam Angle:	120°
Over Load / Short Circuit:	Protection
LED Type/Qty.:(pcs)	SMD2835 ~ 15 / 30 / 42 / 60 / 72 / 88 / 120
Ra:	>80
Warranty:	2 years
Lumen Maintenance(@70%):	30,000hrs
LM80:	>97.1% lumen maintenance@6000hrs
IP:	IP20
Operating Temp:	-20 ~ +40 °C
Storage Temp:	-40 ~ +85 °C
Frame Color / Material:	White / Aluminum
Dimmable:	Optional

Square LED Panel Light:



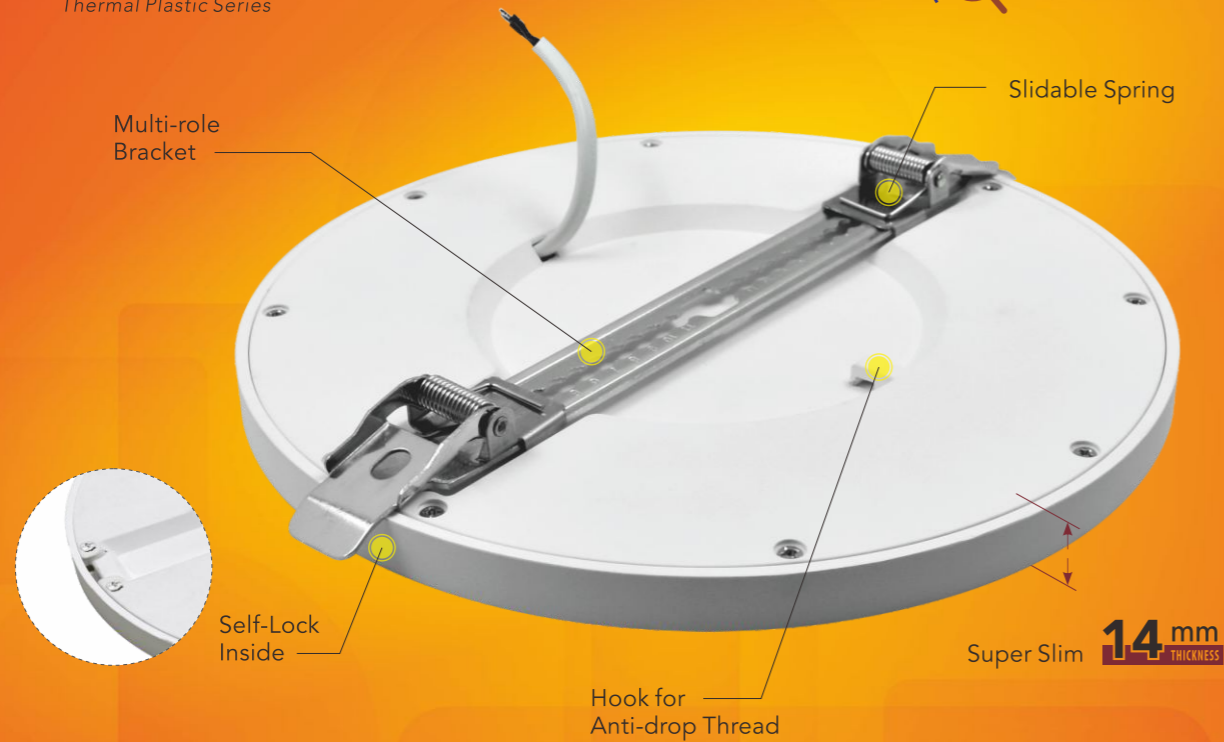
DC11 Also Include Square Series
All Same as Round Panel Except the Appearance





CLIP-ON
Thermal Plastic Series

Patented Patent No.: 201710182904.4



*An Unprecedented Innovation
Make Installation So Easy
Save You a Lot*



- ★ So easy to Fix or Detach
- ★ Moveable Spring, Fit all Cut-size
- ★ Round Hole for Square Panel



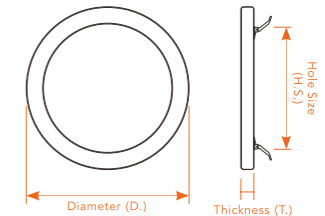
SHENZHEN HOMI LIGHTING CO., LTD

© 2-5F, Building No.3, Hongfa Jateli High-Tech. Park, Shiyan Street, Bao'an District, Shenzhen, China
Tel: +86(0)755-36615577 Email: info@homiled.com Web: www.homiled.com

PL03 Thermal Plastic Round / Square
LED PANEL LIGHT

Clip-On Series, An Unprecedented Innovation

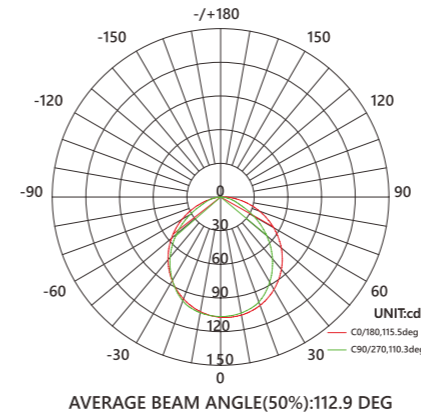
6W	40W	170g
12W	75W	280g
18W	100W	440g
24W	130W	710g



	D.	T.	H.S.
6W	Φ113	14	Φ60-90
12W	Φ160	14	Φ60-135
18W	Φ215	14	Φ60-185
24W	Φ290	14	Φ60-260

Unit: mm

Light Distribution Curve:



Parameters:

PL03 Round Panel Light	
Rated Power(W)±5%:	6W / 12W / 18W / 24W
Lumen efficacy:	85lm / W
Input:	AC 200-240V / 50Hz
CCT:	2600-3000K / 3700-4100K / 5400-6000K
Power Factor / THD / PE:	>0.9 / <30 / 80%
Driver:	Driver Inside / Outside(CE)
Beam Angle:	120°
Over Load / Short Circuit:	Protection
LED Type/Qty.:	SMD2835 ~ 28pcs / 56pcs / 84pcs / 112pcs
Ra:	>80
Warranty:	2 years
Lumen Maintenance(@70%):	30,000hrs
LM80:	>97.1% lumen maintance@6000hrs
IP:	IP20
Operating Temp:	-20 ~ +40 °C
Storage Temp:	-40 ~ +85 °C
Frame Color / Material:	White / Thermal Plastic
★ Dimmable:	Optional

Square LED Panel Light:



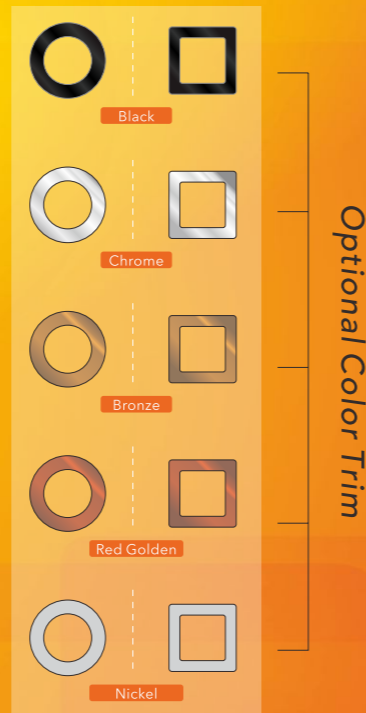
PL03 Also Include Square Series
All Same as Round Panel Except the Appearance





Colorful Ring Slim Panel Light

Super slim designed and belong to one of the most elegant LED light



Optional Color Trim



A New Innovation

- ★ Super slim 15mm
- ★ Built-in driver
- ★ Surface installation
- ★ No Screws SKD convenient



SHENZHEN HOMI LIGHTING CO., LTD

© 2-5F, Building No.3, Hongfa Jateli High-Tech. Park, Shiyan Street, Bao'an District, Shenzhen, China
 Tel: +86(0)755-36615577 Email: info@homiled.com Web: www.homiled.com

PL06 Thermal Plastic Round / Square LED PANEL LIGHT

Super Slim, Belong to One of the Most Elegant LED light

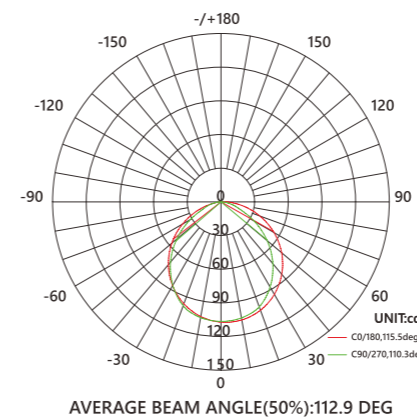
6W	40W
12W	75W
18W	100W
24W	130W



- Black ● Chrome ● Silver
- Bronze ● Red Golden



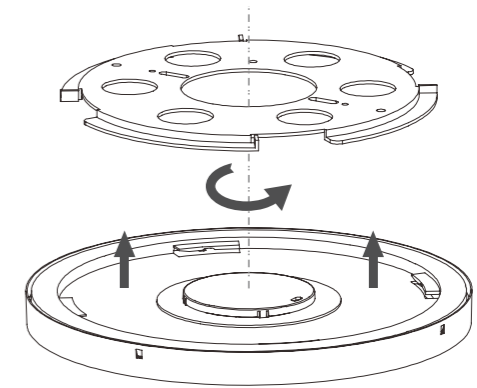
Light Distribution Curve:



Parameters:

Electrical Parameters:	
Rated Power(W)±5%:	6W / 12W / 18W / 24W
Rated / Actual Input:	AC 200-240V 50/60 Hz
Dimmable Solution:	Leading Edge & Trailing Edge
Power Factor / THD / PE:	>0.9 / <30 / 80%
Driver:	Built-in Driver
Beam Angle:	120°
Over Load / Short Circuit:	Protection
Optical Parameters:	
CCT:	2600-3000K / 3700-4100K / 5400-6000K
Dimension:	Φ121x15 / Φ155x15 / Φ200x15 / Φ300x15
Lumen efficacy:	>85lm / W
LED Type/Qty.:	SMD2835 ~28pcs / 56pcs / 84pcs / 112pcs
Ra:	>80
Life:	
Warranty:	3 years
Lumen Maintenance(@70%):	50,000hrs
LM80:	>97.1% lumen maintance@6000hrs
Others:	
IP/IK:	IP20 / IK06
Operating Temp:	-20 ~+40 °C
Storage Temp:	-40 ~+85 °C
Frame Color RAL:	Chrome / Black / Bronze / Red Golden / Silver

Easy Installation:



1. Rotate to fix and detach
2. Steady bracket, good looking and more safety
3. Same bracket for Square and Round panel



Thermal Plastic Mini Panel Light

Super slim designed and belong to one of the most elegant LED light



TRIAC DIMMING



White

Black

Silver

Chrome

Perfect LED Mounting Uniform Light Distribution

Black dots and shadow on the light, un-uniform lighting, which are the headache in the LED panel field.

- ★ SMT technology, ensuring accurate positions for LEDs on FPCB
- ★ Good quality LGP and diffuser plate
- ★ Stable design for the whole structure

LED Light Strip



Above ensures uniform lighting, no black dots and shadow.

- ★ Built-in driver, Super Slim
- ★ Save Freight Cost
- ★ TUV / CE / ROHS listed



SHENZHEN HOMI LIGHTING CO., LTD

© 2-5F, Building No.3, Hongfa Jateli High-Tech. Park, Shiyan Street, Bao'an District, Shenzhen, China
Tel: +86(0)755-36615577 Email: info@homiled.com Web: www.homiled.com

PL02 Thermal Plastic Round LED PANEL LIGHT

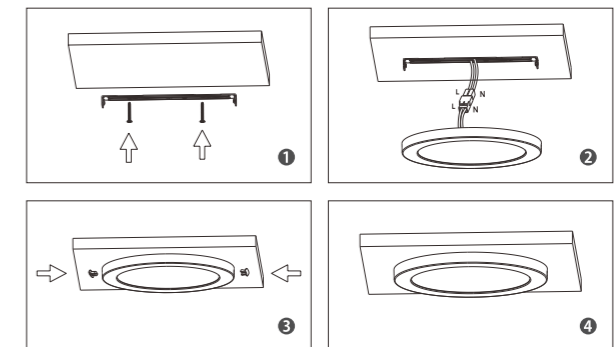
Super Slim, Belong to One of the Most Elegant LED light

- White ○ Silver
- Black ● Chrome



Power (W)	Net Weight (g)
6W	164g
12W	264g
18W	393g
24W	659g

Easy Installation:



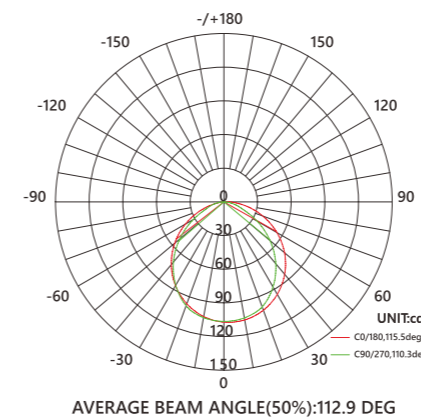
Easy INSTALLATION



Parameters:

Electrical Parameters:	
Rated Power(W)±5%:	6W / 12W / 18W / 24W
Rated / Actual Input:	AC 200-240V / 50Hz
Dimmable Solution:	Leading Edge & Trailing Edge
Power Factor / THD / PE:	>0.9 / <30 / 80%
Driver/Connection:	Driver Inside
Beam Angle:	120°
Over Load / Short Circuit:	Protection
Optical Parameters:	
CCT:	2600-3000K / 3700-4100K / 5400-6000K
Dimension:	Φ135x13 / Φ180x13 / Φ225x13 / Φ300x13
Lumen efficacy:	80lm / W
LED Type/Qty.:	SMD2835 ~ 56pcs / 84pcs / 112pcs / 140pcs
Ra:	>80
Life:	
Warranty:	2 years
Lumen Maintenance(@70%):	30,000hrs
LM80:	>97.1% lumen maintance@6000hrs
Others:	
IP:	IP20
Operating Temp:	-20 ~ +40 °C
Storage Temp:	-40 ~ +85 °C
Frame Color RAL:	White / Black / Silver / Chrome

Light Distribution Curve:

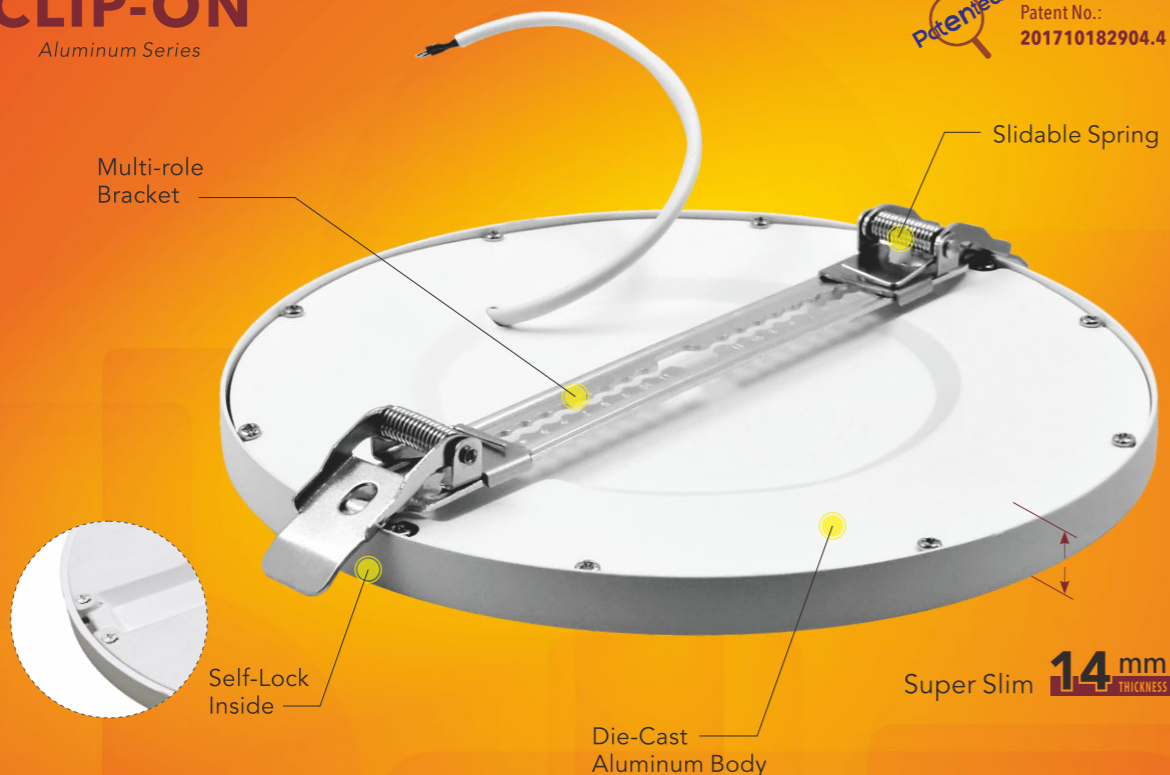




CLIP-ON

Aluminum Series

Patented Patent No.: 201710182904.4



Multi-role Bracket

Slidable Spring

Self-Lock Inside

Die-Cast Aluminum Body

Super Slim **14mm** THICKNESS



*An Unprecedented Innovation
Make Installation So Easy
Save You a Lot*



- ★ So easy to Fix or Detach
- ★ Moveable Spring, Fit all Cut-size
- ★ Round Hole for Square Panel

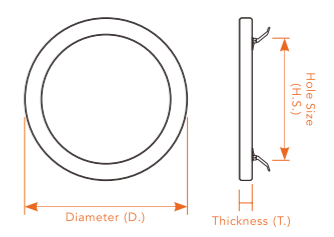


SHENZHEN HOMI LIGHTING CO., LTD
 © 2-5F, Building No.3, Hongfa Jateli High-Tech. Park, Shiyan Street, Bao'an District, Shenzhen, China
 ☎ Tel: +86(0)755-36615577 ✉ Email: info@homiled.com 🌐 Web: www.homiled.com

DC13 Aluminum Round / Square
LED PANEL LIGHT

Clip-On Series, An Unprecedented Innovation

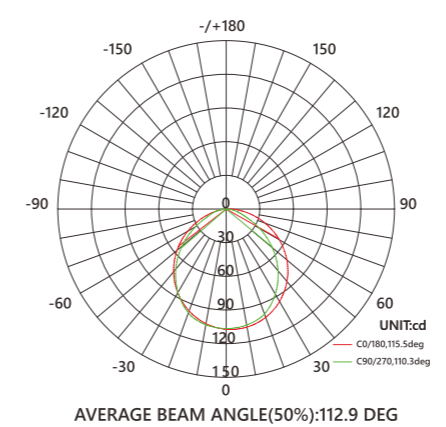
	Light Bulb	Net Weight
6W	40W	195g
12W	75W	320g
18W	100W	463g
24W	130W	720g



	D.	T.	H.S.
6W	Φ105	14	Φ50~90
12W	Φ152	14	Φ60~135
18W	Φ205	14	Φ60~185
24W	Φ280	14	Φ60~260

Unit: mm

Light Distribution Curve:



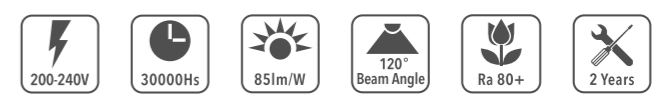
Parameters:

DC13 Round Panel Light	
Rated Power(W)±5%:	6W / 12W / 18W / 24W
Lumen efficacy:	85lm / W
Input:	AC 200-240V / 50Hz
CCT:	2600-3000K / 3700-4100K / 5400-6000K
Power Factor / THD / PE:	>0.9 / <30 / 80%
Driver/Connection:	Driver Inside / Outside(CE)
Beam Angle:	120°
Over Load / Short Circuit:	Protection
LED Type/Qty.:	SMD2835 ~ 30pcs / 60pcs / 90pcs / 120pcs
Ra:	>80
Warranty:	2 years
Lumen Maintenance(@70%):	30,000hrs
LM80:	>97.1% lumen maintance@6000hrs
IP:	IP20
Operating Temp:	-20 ~ +40 °C
Storage Temp:	-40 ~ +85 °C
Frame Color / Material:	White / Aluminum
Dimmable:	Optional

Square LED Panel Light:

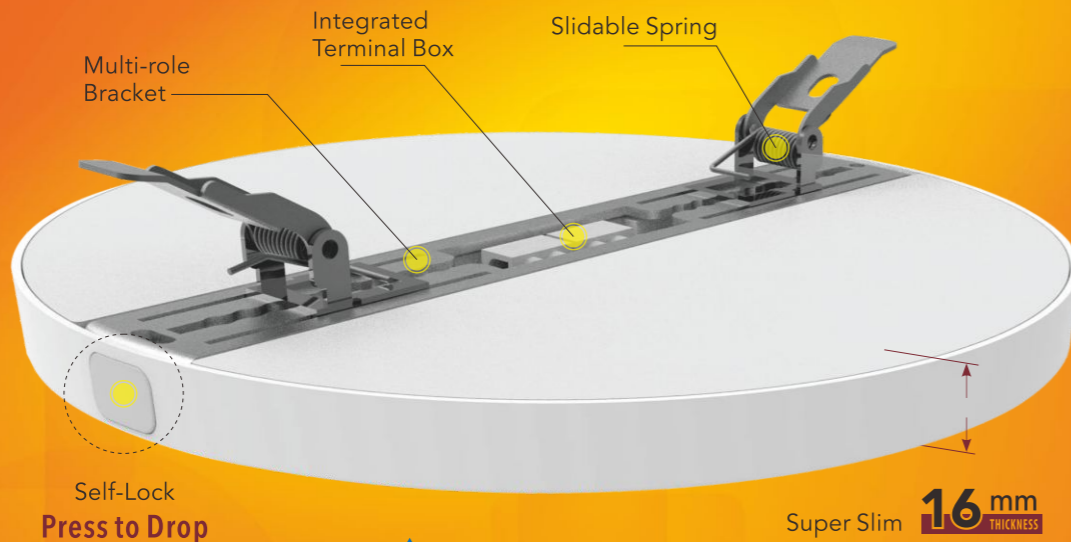


DC13 Also Include Square Series
All Same as Round Panel Except the Appearance



CLIP-ON PREMIUM
Thermal Plastic Series

Patented Patent No.: 201710182904.4



*An Unprecedented Innovation
Make Installation So Easy
Save You a Lot*



- ★ So easy to Fix or Detach
- ★ Moveable Spring, Fit all Cut-size
- ★ Round Hole for Square Panel



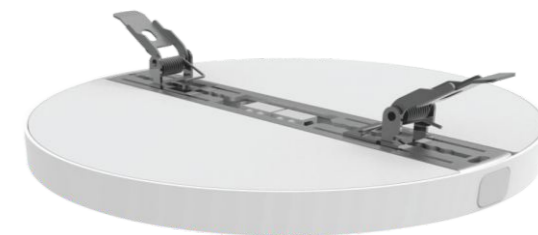
SHENZHEN HOMI LIGHTING CO., LTD

© 2-5F, Building No.3, Hongfa Jateli High-Tech. Park, Shiyan Street, Bao'an District, Shenzhen, China
Tel: +86(0)755-36615577 Email: info@homiled.com Web: www.homiled.com

PL07 Thermal Plastic Round / Square
LED PANEL LIGHT

Clip-On Premium Series, An Unprecedented Innovation

6W	40W
12W	75W
18W	100W
24W	130W



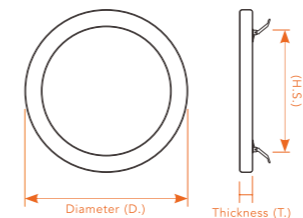
Parameters:

Electrical Parameters:	
Rated Power(W)±5%:	6W / 12W / 18W / 24W
Rated / Actual Input:	AC 200-240V 50/60 Hz
Dimmable Solution:	Leading Edge & Trailing Edge
Power Factor / THD / PE:	>0.9 / <30 / 80%
Driver:	Built-in Driver
Beam Angle:	120°
Over Load / Short Circuit:	Protection

Optical Parameters:	
CCT:	2600-3000K / 3700-4100K / 5400-6000K
Dimension:	Φ135x16 / Φ167x16 / Φ215x16 / Φ313x16
Lumen efficacy:	>85lm / W
LED Type/Qty.:	SMD2835 ~28pcs / 56pcs / 84pcs / 112pcs
Ra:	>80

Life:	
Warranty:	3 years
Lumen Maintenance(@70%):	50,000hrs
LM80:	>97.1% lumen maintenance@6000hrs

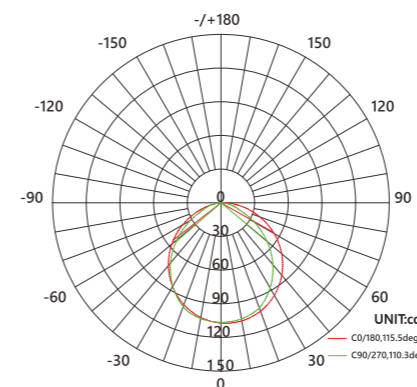
Others:	
IP/IK:	IP20 / IK06
Operating Temp:	-20 ~+40 °C
Storage Temp:	-40 ~+85 °C
Frame Color RAL:	White



	D.	T.	H.S.
6W	Φ135	16	Φ60~110
12W	Φ167	16	Φ60~140
18W	Φ215	16	Φ60~185
24W	Φ313	16	Φ60~280

Unit: mm

Light Distribution Curve:



AVERAGE BEAM ANGLE(50%):112.9 DEG

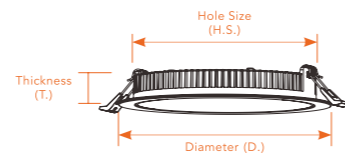


DL01 Thermal Plastic Super Slim LED DOWNLIGHT

High Brightness 130lm/W, Thickness 28mm

6W	40W	111g
9W	60W	156g
12W	130W	209g

Net Weight



	D.	T.	H.S.
6W	Φ120	28	Φ108
9W	Φ150	28	Φ135
12W	Φ172	28	Φ155

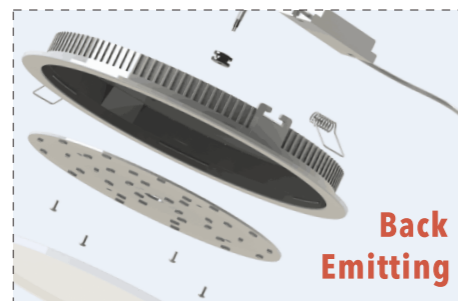
Unit: mm

Parameters:

Electrical Parameters:	
Rated Power(W)±5%:	6W / 9W / 12W
Rated / Actual Input:	AC 180-240V / 50 Hz
Dimmable Solution:	Leading Edge & Trailing Edge
Power Factor / THD / PE:	>0.9 / <30 / 80%
Driver/Connection:	Driver Outside
Beam Angle:	110°
Over Load / Short Circuit:	Protection
Optical Parameters:	
CCT:	2600-3000K / 3700-4100K / 5400-6000K
PF:	>0.9
Lumen(+/-10%):	640lm@6W / 950lm@9w / 1200lm@12W
LED Type / Qty.:	SMD2835 ~ 32 / 50 / 60 pcs
Ra:	>80
Life:	
Warranty:	2 years
Lumen Maintenance(@70%):	30,000hrs
LM80:	>97.1% lumen maintance@6000hrs
Others:	
IP/IK:	IP66 / IK08
Operating Temp:	-20 ~+40
Storage Temp:	-40 ~+85
Frame Materail:	Thermal Plastic

Main Features:

- ★ Lumen Efficiency as High as 100~130 lm/W
- ★ Thickness 28mm, 10% Cost Down
- ★ Punctual Lead Time, 3~4 Weeks
- ★ Lean Production Philosophy



AL01 Pure Aluminum Cooper LED T-Bulb LIGHT

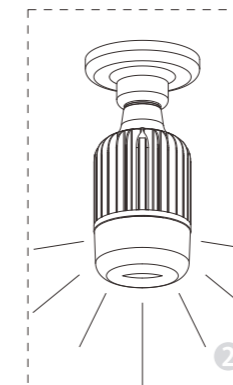
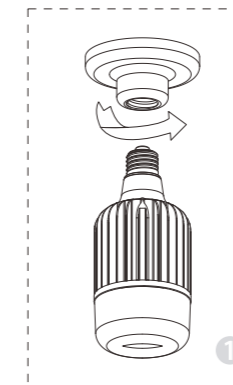
High Power Lamp, Designed to Replace Incandescent Bulbs 25w-150w



	Size	Cap
20W	Φ80x158	E27
30W	Φ80x183	E27
40W	Φ80x208	E27
60W	Φ100x226	E40
80W	Φ100x256	E40
100W	Φ120x282	E40

Unit: mm

Installation Method:

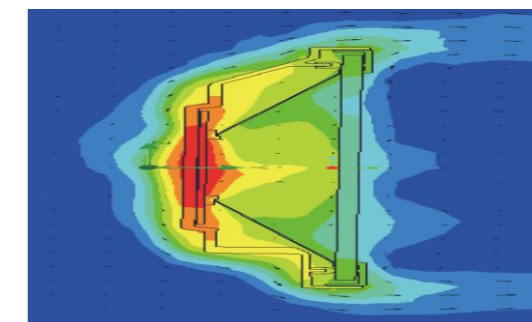


Parameters:

AL01 T-Bulb Light	
Rated Power(W)±5%:	20W / 30W / 40W / 60W / 80W / 100W
Lumen efficacy:	90lm / W
Input:	AC 200-240V / 50Hz
CCT:	2600-3000K / 3700-4100K / 5400-6000K
Power Factor / THD / PE:	>0.9 / <30 / 80%
Driver/Connection:	Driver Inside / Outside(CE)
Beam Angle:	120°
Over Load / Short Circuit:	Protection
LED Type/Qty.:	SMD2835
CRI:	>80
Warranty:	2 years
Lumen Maintenance(@70%):	30,000hrs
LM80:	>97.1% lumen maintance@6000hrs
IP:	IP20
Operating Temp:	-20 ~+40
Storage Temp:	-40 ~+85
Frame Color / Material:	PC cover / Alu cooling body
Dimmable:	Optional

High Power Lamp

Available in 20W / 30W / 40W / 60W / 80W / 100W
High energy-efficient,
90 lm/W optional
E27/E40 lamp base



Pure Aluminum Cooper

- ★ Pure Aluminum cooling body and PC cover
- ★ Sunflower and ventilation hole designed to improve heat dissipation
- ★ Anti-glare design
- ★ Economic price

Ultra Slim Mini Panel Light

PL02

Ultra slim designed and belong to one of the most elegant LED light



TRIAC DIMMING



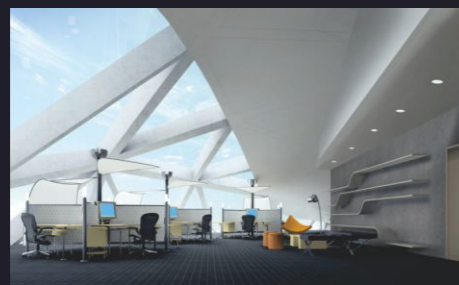
White

Black

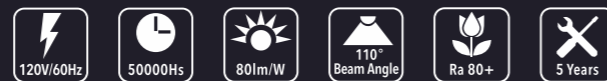
Nickel

Chrome

Ultra Slim
13 mm
THICKNESS



- ★ Built-in driver, Super Slim
- ★ Save Freight Cost
- ★ ETL / cETL / ES listed



SHENZHEN HOMI LIGHTING CO., LTD

2-5F, Building No.3, Hongfa Jateli High-Tech. Park, Shiyan Street, Bao'an District, Shenzhen, China
Tel: +86(0)755-36615577 Email: info@homiled.com Web: www.homiled.com

PL02 DESIGNED FOR North American Market LED PANEL LIGHT

Perfect For All Your New Installation And Retrofit Needs

- ★ 5 inch - 6W
- ★ 7 inch - 12W
- ★ 9 inch - 18W
- ★ 12 inch - 24W

- White ○ Nickel
- Black ○ Chrome



Parameters:

Electrical Parameters:	
Rated Power(W)±5%:	6W / 12W / 18W / 24W
Rated / Actual Input:	AC 120V / 60Hz
Dimmable Solution:	Triac
Power Factor / THD / PE:	>90% / <30 / 70%
Driver/Connection:	Driver Inside
Beam Angle:	110°
Over Load / Short Circuit:	Protection
Optical Parameters:	
CCT:	3000K / 4000K / 5000K
Dimension:	Φ135x13 / Φ180x13 / Φ225x13 / Φ300x13
Lumen efficacy:	80lm / W
LED Type/Qty.:	SMD2835 ~ 56pcs / 84pcs / 112pcs / 140pcs
Ra:	>80
Life:	
Warranty:	5 years
Lumen Maintenance(@70%):	80,000hrs
LM80:	>97.1% lumen maintance@6000hrs
Others:	
IP:	IP20
Operating Temp:	-20 ~ +40 °C
Storage Temp:	-40 ~ +85 °C
Frame Color RAL:	White / Black / Nickel / Chrome

Easy Installation:

4-inch friction clip



Juntion box mounting



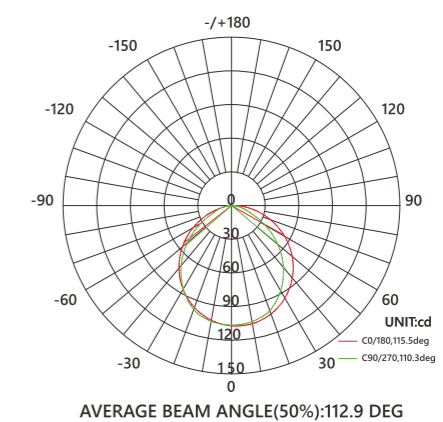
5/6-inch torsion clip



Juntion box mounting



Light Distribution Curve:



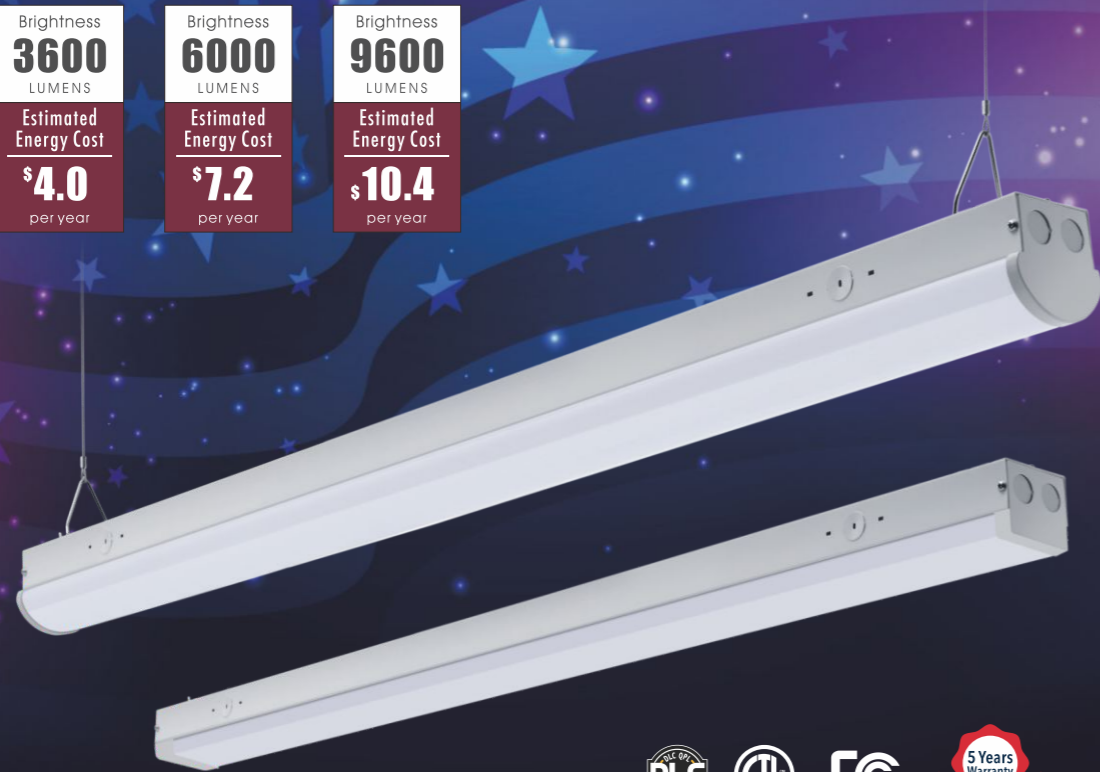
HOMI LIGHTING | www.homiled.com

PL02

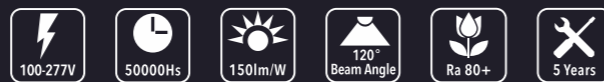
LED Linear Strip Light

LST01

Brightness 3600 LUMENS	Brightness 6000 LUMENS	Brightness 9600 LUMENS
Estimated Energy Cost	Estimated Energy Cost	Estimated Energy Cost
\$4.0 per year	\$7.2 per year	\$10.4 per year



- * Lumen output more than 150lm/W
- * 0-10V dimming
- * Suitable for damp locations
- * Surface mounting installation
- * Long life span - 5years warranty
- * DLC V4.0 premium version



SHENZHEN HOMI LIGHTING CO., LTD

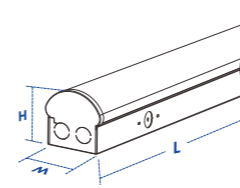
2-5F, Building No.3, Hongfa Jatei High-Tech. Park, Shiyan Street, Bao'an District, Shenzhen, China
Tel: +86(0)755-36615577 Email: info@homiled.com Web: www.homiled.com

LST01

DESIGNED FOR North American Market
LED LINEAR LIGHT

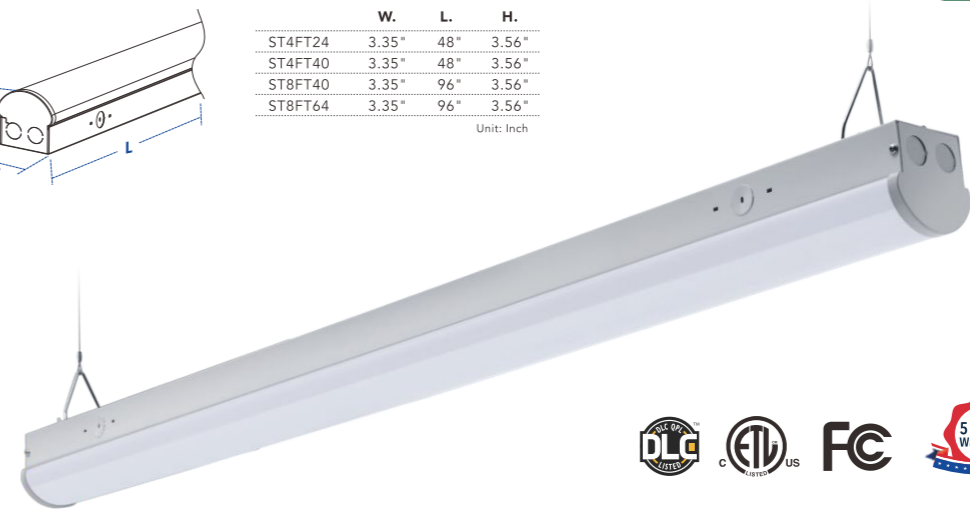
Perfect For All Your New Installation And Retrofit Needs

70%
ENERGY
SAVING



	W.	L.	H.
ST4FT24	3.35"	48"	3.56"
ST4FT40	3.35"	48"	3.56"
ST8FT40	3.35"	96"	3.56"
ST8FT64	3.35"	96"	3.56"

Unit: Inch



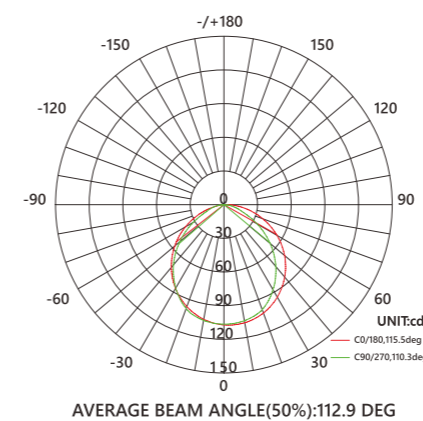
0-10V dimmable for your energy saving in no time

Parameters:

LST01 LED Linear Light

Model:	ST4FT24 / ST4FT40 / ST8FT40 / ST8FT64
Rated Power(W)±5%:	24W / 40W / 40W / 64W
Lumen:	3600lm / 6000lm / 6000lm / 9600lm
Input:	AC 100-277V or 277-347V 50/60Hz
CCT:	3000K-5000K
Power Factor / THD / PE:	>90% / <20 / 88%
Driver/Connection:	Driver Inside
Beam Angle:	120°
Over Load / Short Circuit:	Protection
LED Type/Qty.:	SMD2835 ~ 216pcs / 240pcs / 432pcs / 480pcs
Ra / SDCM:	>80 / <6
Warranty:	5 years
Lumen Maintenance(@70%):	80,000hrs
LM80:	>97.1% lumen maintance@6000hrs
Hi-pot Test Range:	1500V / 1mA / 60S
IP:	IP20
Surge / Protection Class:	2000V / Class II
Temp.:	Working -20 ~+55 °C
Humidity:	Storage: <70

Light Distribution Curve:



Square Cover
Linear Light:



LST01 Also Include Square Series
All Same as Round Cover Except the Appearance

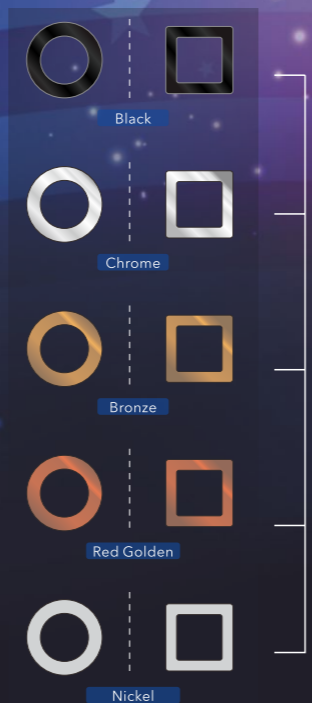
HOMI LIGHTING | www.homiled.com

LST01

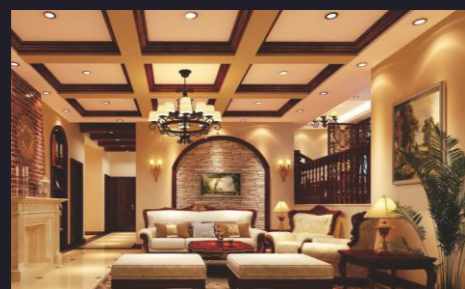
Colorful Trim Slim Panel Light

PL05

Optional colorful trim designed and belong to one of the most elegant LED light

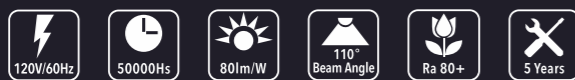


Optional Color Trim



A New Innovation

- ★ Make lamp colorful so easy
- ★ Dimmable (Triac & 0-10V)
- ★ Square Version is Available



SHENZHEN HOMI LIGHTING CO., LTD

2-5F, Building No.3, Hongfa Jateli High-Tech. Park, Shiyan Street, Bao'an District, Shenzhen, China
Tel: +86(0)755-36615577 Email: info@homiled.com Web: www.homiled.com

PL05 DESIGNED FOR North American Market LED PANEL LIGHT

Perfect For All Your New Installation And Retrofit Needs

- ★ 4 inch - 6W
- ★ 6 inch - 12W
- ★ 8 inch - 18W
- ★ 12 inch - 24W



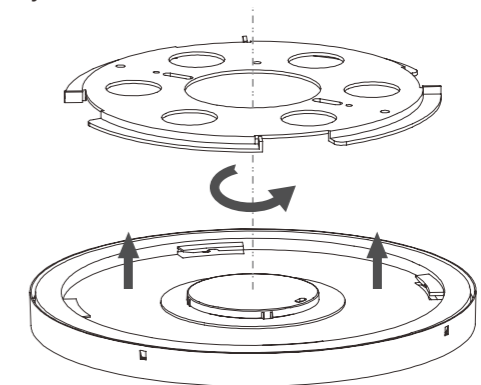
- Black ● Chrome ● Nickel
- Bronze ● Red Golden



Parameters:

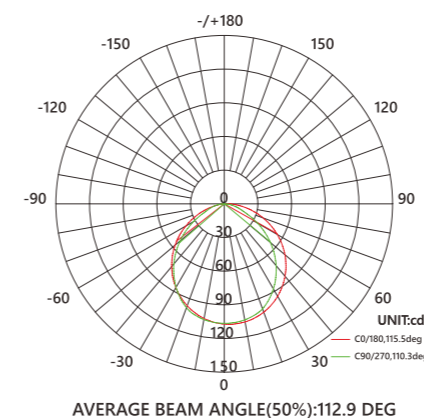
Electrical Parameters:	
Rated Power(W)±5%:	6W / 12W / 18W / 24W
Rated / Actual Input:	AC 120V / AC100~277V
Dimmable Solution:	Triac / 0-10
Power Factor / THD / PE:	>90% / <30 / 70%
Driver/Connection:	Driver Inside
Beam Angle:	110°
Over Load / Short Circuit:	Protection
Optical Parameters:	
CCT:	3000K / 4000K / 5000K
Dimension:	Φ121x15 / Φ155x15 / Φ200x15 / Φ300x15
Lumen efficacy:	80lm / W
LED Type/Qty.:	SMD2835 ~28pcs / 56pcs / 84pcs / 112pcs
Ra:	>80
Life:	
Warranty:	5 years
Lumen Maintenance(@70%):	80,000hrs
LM80:	>97.1% lumen maintance@6000hrs
Others:	
IP:	IP20
Operating Temp:	-20 ~+40 °C
Storage Temp:	-40 ~+85 °C
Frame Color RAL:	Chrome / Black / Bronze / Red Golden / Nickel

Easy Installation:



1. Rotate to fix and detach
2. Multiply retrofit applications ~ Can and J-Box
3. Same bracket for Square and Round panel

Light Distribution Curve:

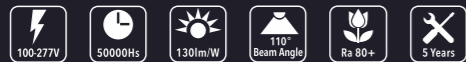


Ultra Slim LED Panel Light

P7



- * Lumen output reach to 130lm/W
- * 12mm thickness frame
- * Suitable for damp/dry location

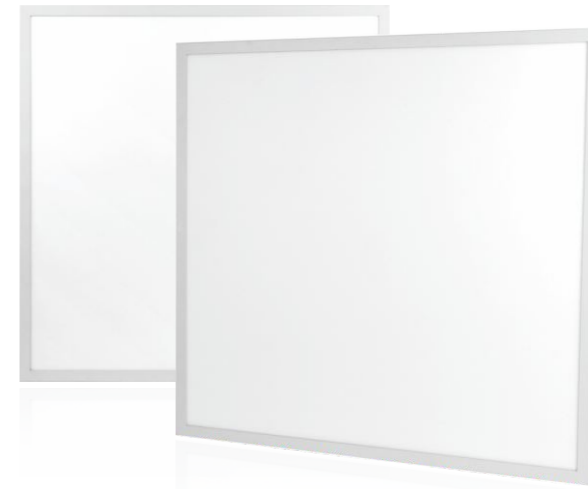


SHENZHEN HOMI LIGHTING CO., LTD

2-5F, Building No.3, Hongfa Jateli High-Tech. Park, Shiyan Street, Bao'an District, Shenzhen, China
 Tel: +86(0)755-36615577 Email: info@homiled.com Web: www.homiled.com

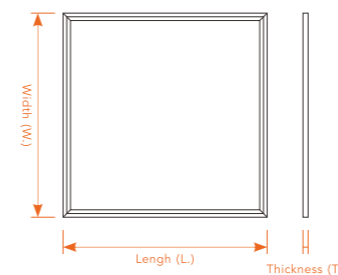
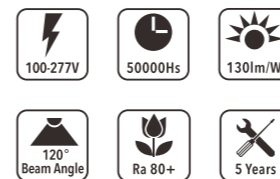
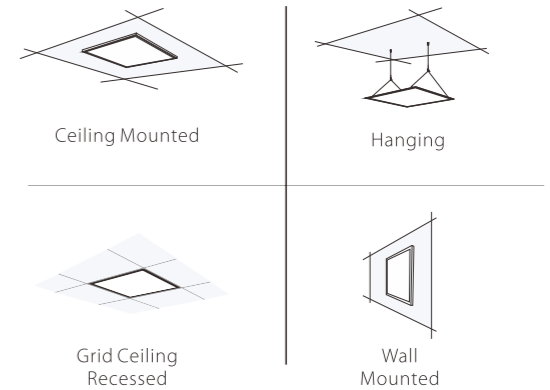
P7 DESIGNED FOR North American Market LED PANEL LIGHT

Perfect For All Your New Installation And Retrofit Needs



0-10V dimmable for your energy saving in no time

Installation Method:



Model	W.	L.	T.
2x2'	603	603	12
1x4'	303	1212	12
2x4'	603	1212	12

Unit: mm

Parameters:

P7 LED Panel Light	
Model:	2x2' / 1x4' / 2x4'
Dimension:	603x603 / 303x1212 / 603x1212 (mm)
Rated Power(W)±5%:	36W / 48W / 60W
Lumen:	4680lm / 6240lm / 7800lm
Input:	AC 100-277V
CCT:	3000K / 4000K / 5000K
Power Factor / THD / PE:	>90% / <20 / 88%
Driver/Connection:	Driver Outside
Beam Angle:	120°
Over Load / Short Circuit:	Protection
LED Type/Qty.:	SMD2835 ~ 216pcs / 240pcs / 432pcs / 480pcs
Ra / SDCM:	>80 / <6
Warranty:	5 years
Lumen Maintenance(@70%):	80,000hrs
LM80:	>97.1% lumen maintenance@6000hrs
Hi-pot Test Range:	1500V / 1mA / 60S
IP:	IP20
Surge / Protection Class:	2000V / Class II
Temp.:	Working -20 ~ +55 °C
Humidity:	Storage: <70

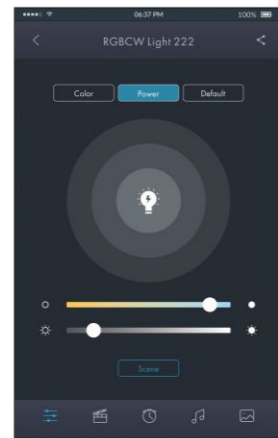


RGB+W BLE MESH FULL FUNCTIONAL MINI PANEL LIGHT APP & REMOTE CONTROL

APP CONTROL



16 Million Colors
Using the palette to choose any color



Brightness
0-100% Smooth Dimmable Adjust



Default Setting
Built-in Schema User-friendly Control



Experience Now



Featuring Functions

Group Control

- ★ One mobile control the lamps at home no matter where the lights were installed
- ★ Group Control with just one mobile APP

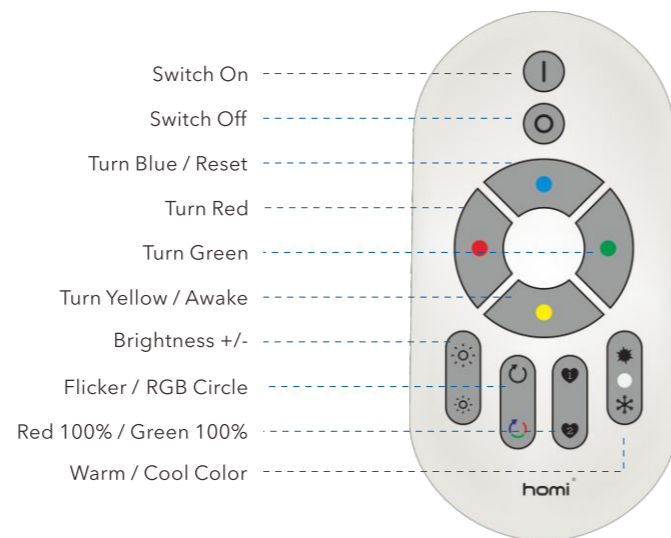
- ★ Control all the lamps at home with just one mobile APP
- ★ Set the switch on and off time for the light by App
- ★ Choose different color & brightness as you like

REMOTE CONTROL

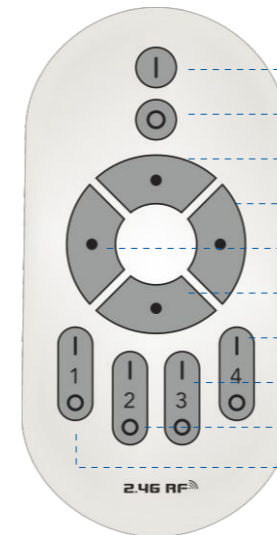


RGB Colors
Remote Control to choose RGB color

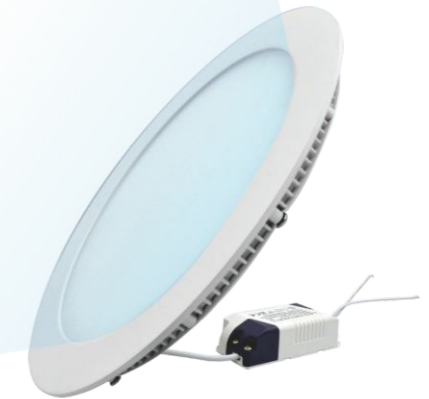
Brightness
10-100% Step Dimmable Adjust



RF REMOTE CONTROL FULL CCT&DIM MINI PANEL LIGHT



- Switch On
- Switch Off
- Brightness +
- CCT -
- CCT +
- Brightness -
- Lamps Group 4
- Lamps Group 3
- Lamps Group 2
- Lamps Group 1



CCT Adjust
Remote Control to choose CCT

Brightness
0-100% Smooth Dimmable Adjust

Brightness Adjust 0-100% Smooth Dimmable Adjust



20% Brightness



55% Brightness



95% Brightness

CCT Adjust Realize Any Light Color Between 3000-6000K



3000K Warm White



4000K Neutral White



6000K Cool White



SHENZHEN HOMI LIGHTING CO., LTD

2-5F, Building No.3, Hongfa Jateli High-Tech. Park, Shiyan Street, Bao'an District, Shenzhen, China
Tel: +86(0)755-36615577 Email: info@homiled.com Web: www.homiled.com